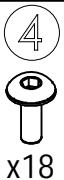
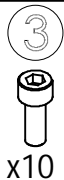
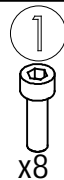
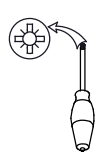
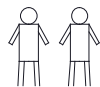
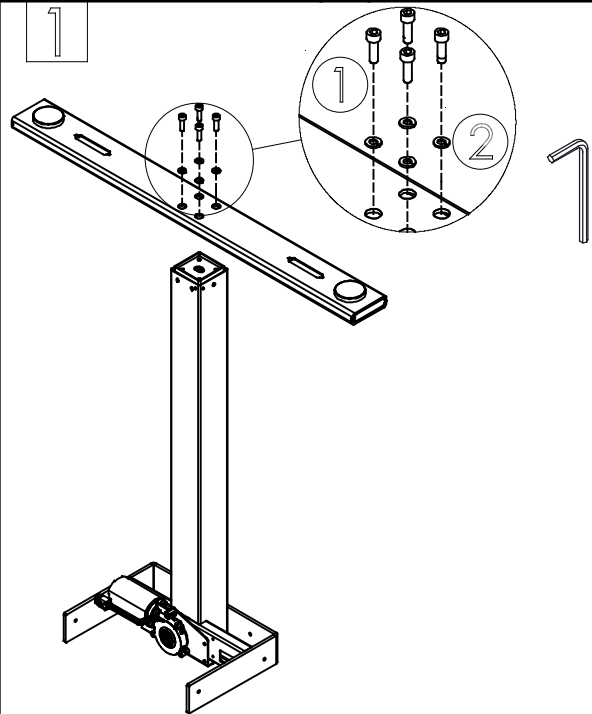


M60EP021

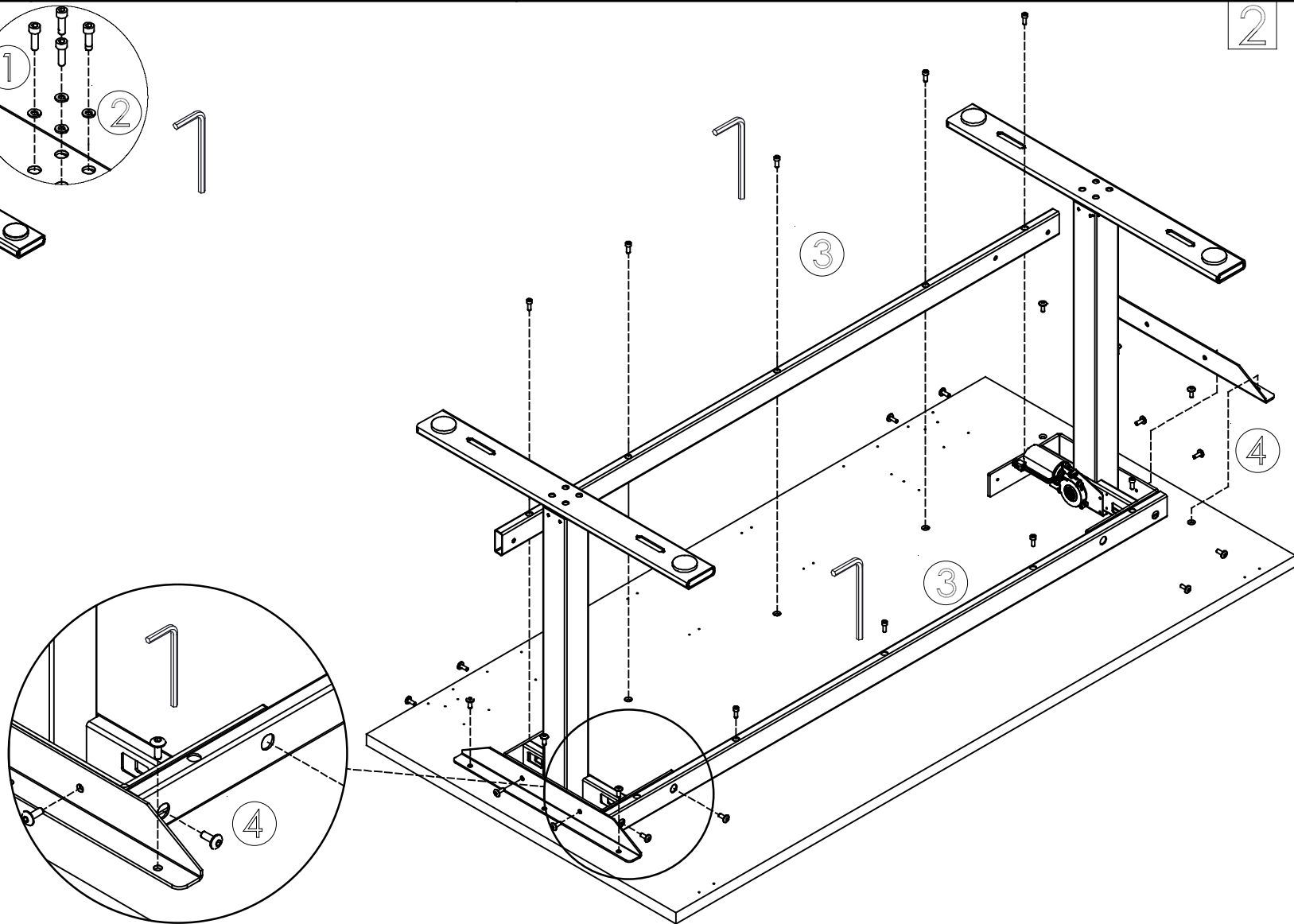
1/5

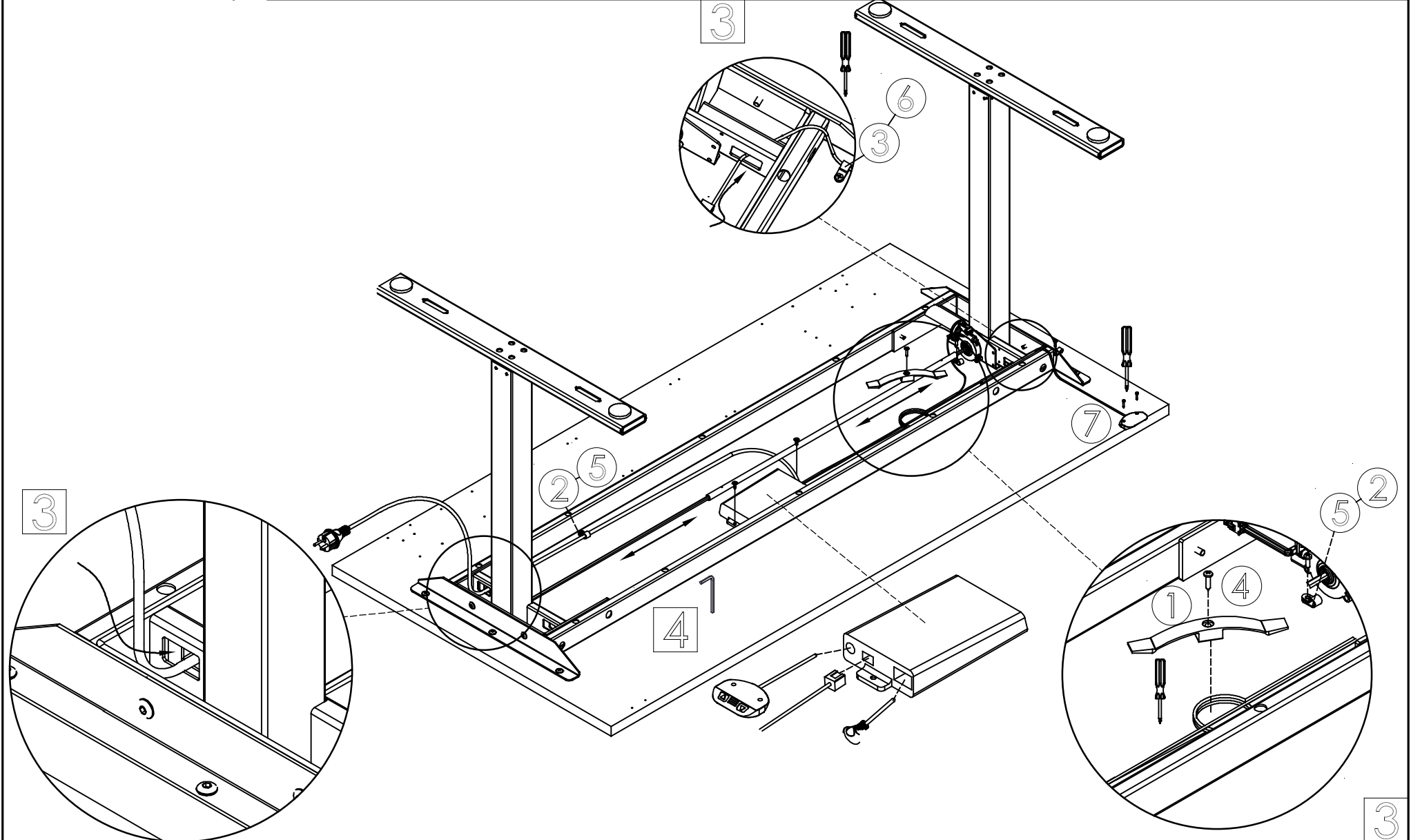
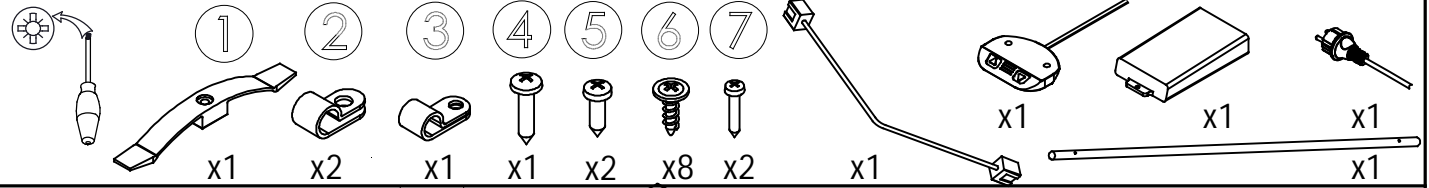


1



2





M60EP021

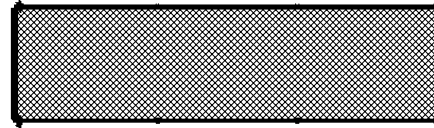
3/5



Assembling scheme

Required tools:

Hardware:



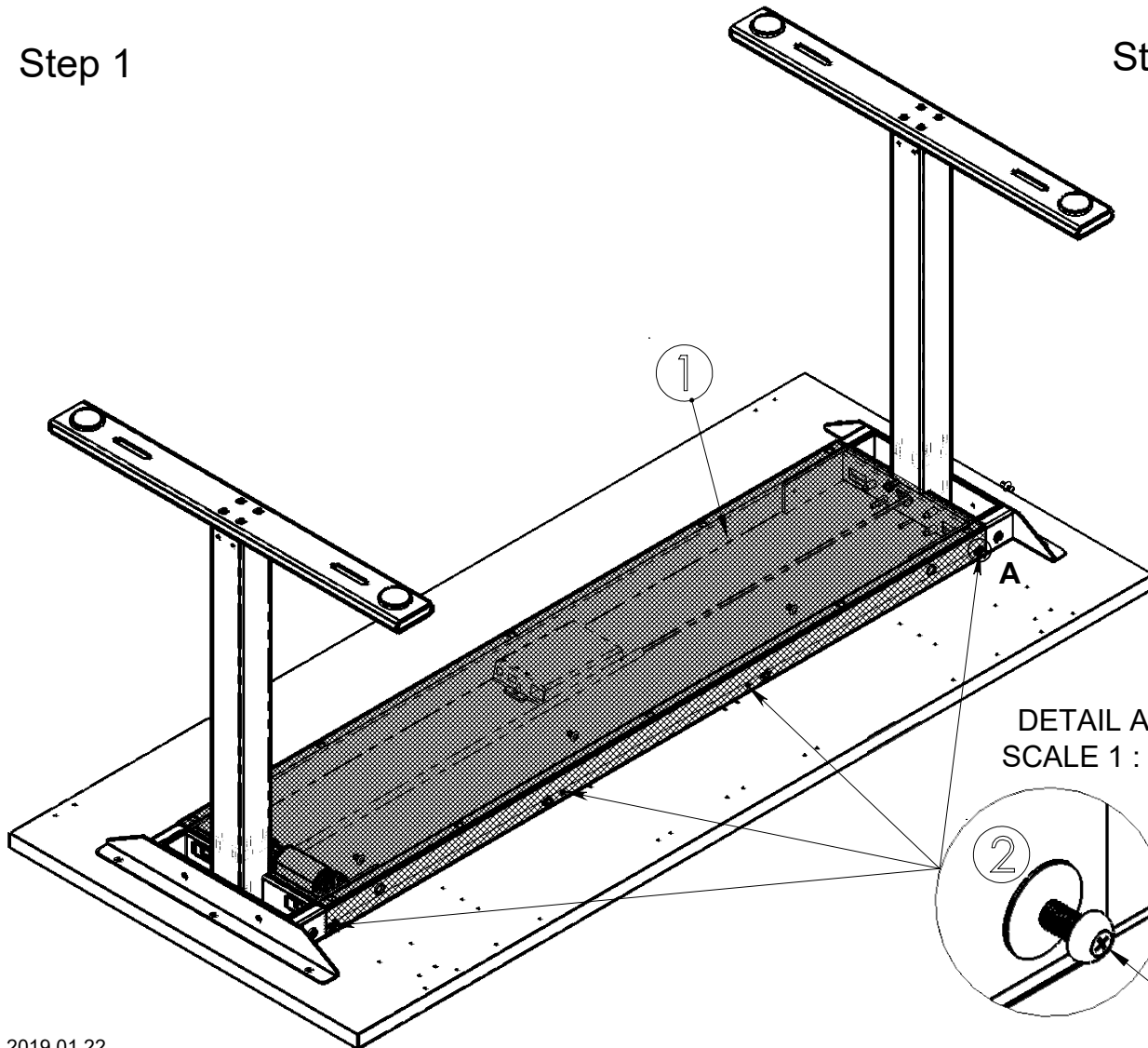
X1



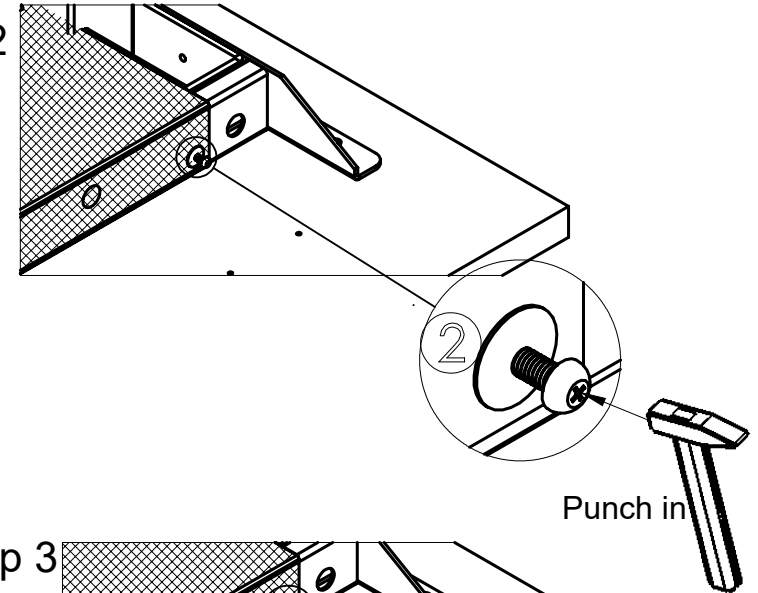
X8



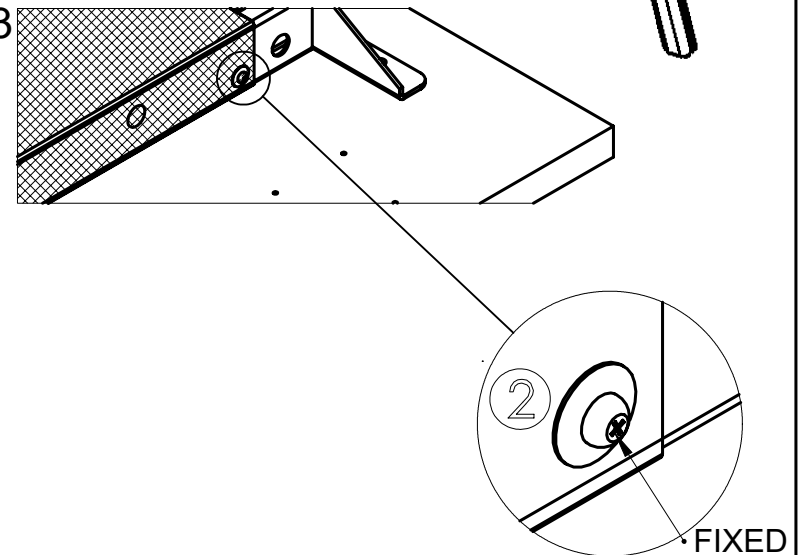
Step 1

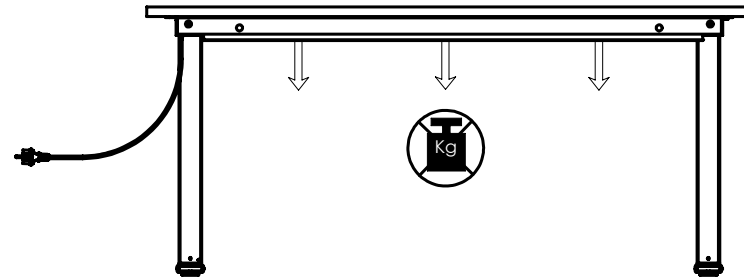


Step 2



Step 3





M60EP021

5/5

Reikalingi įrankiai:

6

